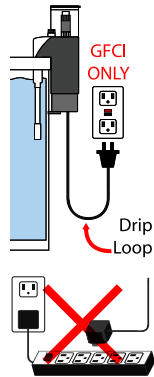


WARNING AND SAFEGUARDS

- This product may contain chemicals known to the state of California to cause cancer and or birth defects or other reproductive harm. Wash your hand after handling this product.
- It is your sole responsibilities to verify that the plug and the receptacle are clean and free of moisture and salt build up at all times. The receptacle must be free of water, salt, calcium, magnesium and dust. Failure to do so can cause fire, damage to property, permanent damage to the product and personal injury not limited to loss of life.
- Do not plug into extension cord/power strip.
- A drip loop must be used when plugging all electrical aquarium devices. A drip loop is that part of the cord hanging below the receptacle.
- The national code requires that a GFCI (Ground fault circuit interrupter) be used in the branch circuit supplying all power to water pumps and electrical aquarium equipment. If you do not have a GFCI, have an electrician install one prior to operating any aquarium component.



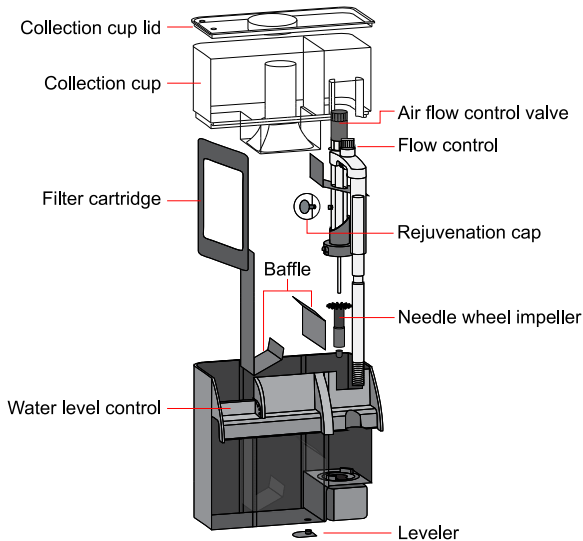
- Reads and follows all instructions.
- Use this product for its intended use only.
- Never yank or pull the cord from the electrical outlet.
- Do not operate if the plug or wire is damaged.
- Do not operate without water.
- Verify that hands are dry prior to disconnecting the power.
- To reduce the risks of electrocution, keep all connections dry.
- While working on the skimmer and/or aquarium, disconnect all aquarium appliances from power supply.
- If the product is to fall into water, do not reach for it first. Unplug the unit first then retrieve the unit from water. If any of the electrical components get wet, unplug immediately.

INSTALLATION

The use of water conditioners (some de-chlorinator, aqua safe, stress coats, algaecides, and red slime removers) will increase the surface tension. As collection cup fills dump water and repeat until skimmer is working properly. Run a carbon filter to remove all impurities. Check with your local fish store for water conditioner that will not affect the performance of the protein skimmer.

1. Remove the collection cup and wash well with a mild dish detergent and rinse with warm water. Insure all the detergent is removed from the collection cup. Replace collection cup.
2. Install water level control.
3. Remove the filter cartridge from the plastic bag.
4. Fill the main body of the skimmer.
5. Verify the tank is full of salt water with a salinity of 1.020-1.025.

1



6. Remove the lid from the collection a cup. Plug in Rio® Nano Skimmer™ into a GFCI outlet.
 7. Close the air flow control valve and plug the Rio Nano skimmer into a GFCI outlet
 8. The skimmer will begin to prime, keep the air flow control valve closed until water fills the intake tube and water begins to cascade back into the aquarium.
 9. Open the air flow control valve to that air begins to enter the skimmer, start the skimmer so that the air bubbles just start to enter the skimmer. Do not open the valve all the way. Replace collection cup
 10. If after a 12 hour period of time there is not any organics collecting in the cup increase air volume by opening the air flow control valve by small increments until the unit begins to skim.
 11. Replace the collection cup.
- NOTE: it may take 24 hours for the skimmer to start to work. It will not start to foam/skim immediately.*

TROUBLESHOOTING

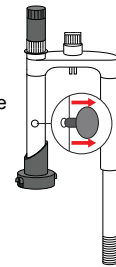
Problem: Nothing will collect in the collection cup.

Solution:

- There is not a biological load in the aquarium.
- Verify the salinity is 1.020-1.025.
- Make sure the water level control is in its highest position.

2

- Decrease the amount of air by opening the air control valve. When making adjustments to the air intake wait a min. of 15-30 minutes to see changes.
- The variable venturi needs to be cleaned (2' piece of airline tubing and 1 cup of warm water). Connect the airline tubing to the intake of the venturi place the other side in the warm water allow the venturi to suck the warm water through the intake.
- It may take up to 24 hours for a Skimmer to start to work. Set up and wait without any adjustments.
- The foam is unable to climb into the collection cup due to oils from your hands, lotions, tank additives and/or foods feed. Run carbon filter to remove any impurities.
- Remove the collection cup and wash well with a mild detergent and rinse with hot water. Insure all the detergent is removed from the collection cup. Replace collection cup.
- If the aquarium is new and there is not any live stock in the aquarium the skimmer will not skim.



Problem: Only water is collecting in the collection cup.

Solution:

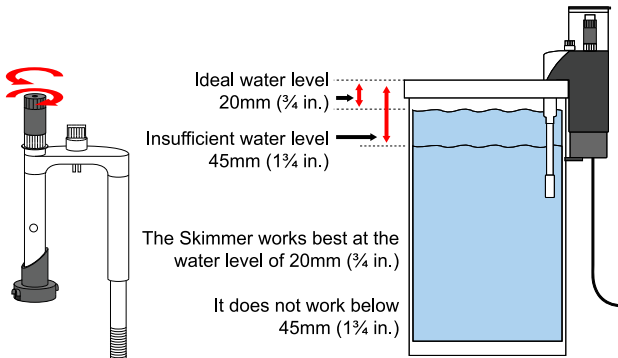
- The salinity is too high. Adjust salinity to 1.020-1.025.
- The use of additives such as water conditioners, medications, red slime remover and/or use of synthetic sea salt are causing the bubbles to bond longer thus the water in the cup. As collection cup fills dump water and repeat until skimmer is working properly. The problem will persist until the agent causing the problem is removed.
- Decrease water flow with the valve on the intake tube by 20%.
- The aquarium was just cleaned and/or water change was done. As collection cup fills dump water and repeat until skimmer is working properly.
- The rate of speed is too fast. Increase the amount of air by opening the air control valve, more air = less water flow
- Decrease the water level by lowering the water level control.

Problem: Small air bubbles are discharging back into the aquarium.

Solution:

- The filter pad is clogged or too soiled and water/air bubbles are escaping over the filter cartridge. Replace filter pad.
- The salinity is too high. Adjust salinity to 1.020-1.025.
- Decrease water flow with the valve on the intake tube by 20%.
- The use of water conditioners (de-chlorinator, stress coats, algaecides and red slime removers) will increase the surface tension.
- Connect a piece of airline tubing to the intake of the variable venturi and submerge the opposite end in the aquarium so the unit is just a power filter for 24 hours and resume operation.
- New tanks with the addition of uncured live rock will cause very poor water quality 20% of the water daily until water quality improves.
- Once the skimmer is operating properly, you may choose to fine tune the air bubbles/skimmer, fine tuning the skimmer for the driest foam.

3



By raising the venturi tube, the air volume will increase and water flow will decrease. By opening the air control valve, the air volume will increase and water flow will decrease. Only make small adjustments at a time.

NOTE: For very clean aquatic environments, remove the rejuvenation cap on the side of the take tubing. This will allow for greater contact time and more efficient skimming.

NOTE:

1. Remove the collection cup and wash thoroughly with a mild detergent. Rinse with hot water. Make sure that all detergent is removed from the collection cup.
2. All protein skimmers require an initial "break-in" time of 24 to 72 hours and it require a biological load to work. After this initial period of operation, the skimmer will begin the function more efficiently.
3. The skimmer setting is a guideline. To fine tune refer to the instruction manual.

MAINTENANCE:

When working on any aquarium appliance or maintaining the aquarium unplug all aquarium components.

1. To insure a properly working filter change the filter cartridge every 3-4 weeks. Remove the filter cartridge and replace.
2. To insure a properly operating filter clean the impeller every month.
 - Remove the filter from the aquarium.
 - Remove water.
 - Remove the intake tube. With a small brush clean the inside of the impeller well and impeller.
 - Reassemble.
 - Follow installation instructions.
3. Clean intake strainer and intake tube.
 - Remove the intake tube and intake strainer and clean with a bottle brush.

LIMITED WARRANTY

TAAM® warrants that Rio® Nano Skimmer™ is free from defects for a period of 6 months from the initial date of purchase shown on the original cash register receipt. TAAM® disclaims all other warranties of merchantability and/or fitness for a particular purpose. Although this limited warranty may give you specific rights, you may have other rights that may vary from state to state. This warranty is void if the failure of the controller or any part, sealant or component there of is due to (i) misuse, (ii) tampering, (iii) negligence, (iv) misapplication, (v) abuse, (vi) accident and/ or (vii) failure to properly (a) maintain, (b) clean, (c) keep free from water and moisture and/or use the controller with a Ground Fault Circuit Interrupter (GFCI).

CONSUMER REMEDIES

TAAM®'s entire liability and your sole and exclusive remedy shall be either repair or replacement of Rio® Nano Skimmer™ only if you return the defective unit directly to TAAM® with the original receipt in its original box along with eight dollars (\$8.00) for shipping and handling. Do not send Rio® Nano Skimmer™ by insured mail. You may send your returns or replacements by UPS if requiring a signature upon arrival. Any replaced unit will be warranted for the remaining time of the original warranty period. In no event shall any shipping charges be reimbursed. In no event will TAAM® be liable for any consequential or incidental damages, including but not limited to, lost sea life, personal injury, property damage, equipment damage, lost profits, lost wages, lost savings, lost income, etc., arising out of the use of Rio® Nano Skimmer™. Some states do not allow for the limitation or exclusion of liability for incidental or consequential damages, so the above exclusion may not apply to you.

RETURNS

Please contact our service center at (805) 383-3566 ext. 102 or fax (805) 383-3565 to arrange repair and/or replacement. Please allow 4-6 weeks for all returns.

WARRANTY CARD

Please mail a copy of this warranty card and purchase receipt within 15 days of purchase to :
TAAM® 300 South Lewis Rd. Unit J, Camarillo, CA 93012, USA

Model #	Date of Purchase
Customer's Name	
Dealer's Name	
Phone #	
Dealer's Address	

TAAM® Technological Aquatic Associated Manufacturing
Fax: (805) 383-3565. www.riopumps.com



WARNING! Buyer/user assumes all responsibility for safety and proper use not in accordance with the directions and safety labels.



Rio® NANO SKIMMER™

